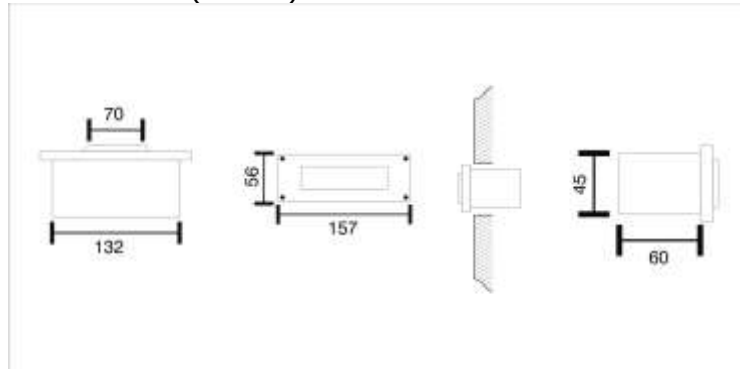


**Emergency Lighting Fixture : Item Code - PEL LED M/WP (PI – Pathway Indicator)
Mounting : Recess type, (Type – Maintained)**



Consist of multiple LEDs which provide illumination on normal mains power supply and the same LEDs continues to provide illumination during mains failure on self contained battery source. **ON** resumption of mains supply, the lamp/s switches back to the mains automatically & simultaneously starts recharging the battery to the required level. **Maintained models provide uninterrupted illumination.**

Dimensions (in mm)



TECHNICAL SPECIFICATIONS	MONOGRAM OF PROLITE
---------------------------------	----------------------------

Confirms	IS : 9583 – 1981.
Ingress Protection	IP – 65.
Housing	Made up of C. R. C. A. Sheet steel – 22 S. W. G.
Paint & Colour	Epoxy polyester powder coating, White in colour.
Reflector	White powder coated, C. R. C. A. Sheet steel – 22 S. W. G.
Diffuser	040 (Milky) molded acrylic diffuser.
Frame	S. S. 304, Brushed Steel finish.
Input (V)	~ 230 Volts, 50 Hz.
LED	Multiple LEDs.
Mains Connector	5 A, 250 Volts, Milky white Polycarbonate with electrical grade brass contacts.
Battery type	Ni-Mh/Ni-Cd, rechargeable.
Duration	120 Minutes back up; \pm 10%.
Charging Type	Constant current charger.
Recharging Cycle	16 to 24 hours recharging period.
Mounting	On wall/ceiling thru 4 Nos. of holes.
Weight (Kg)	1 Kg. Approx
Application	Domestic & commercial purpose, corridors of hotels, Battery rooms, staircases, underground parking.

Tolerance on overall dimensions is \pm 5 m. m. unless otherwise specified.

Please Note: Other Input Voltage Is Also Available – Price On Request (**POR**).

Due to continuous development, specifications may change without prior notice.

FOR

PROLITE AUTOGLO LIMITED

DATE :