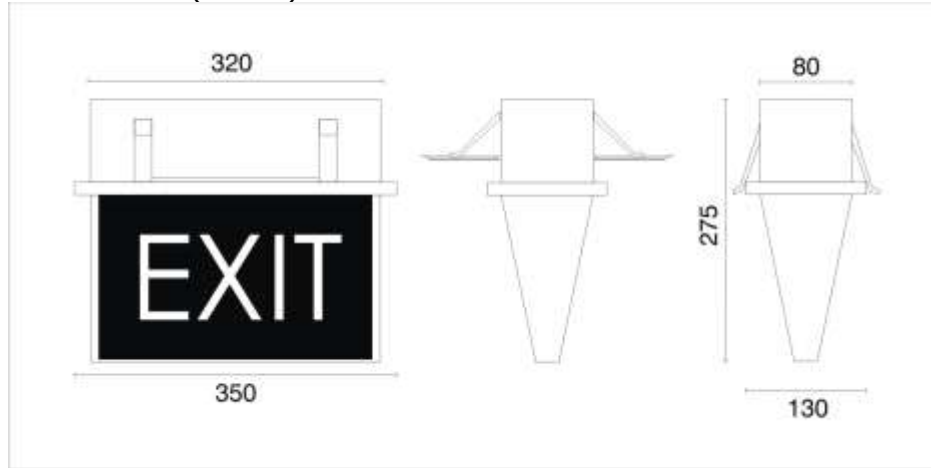


**Emergency Lighting Fixture : Item Code - PEL 111 – E/M/V (RM)
Mounting : Recess, (Type – Maintained)**



Recessed Mounting Type, single CF - L which provides illumination on normal mains power supply and the same lamp continues to provide illumination during mains failure on self contained battery source. **ON** resumption of mains supply, the lamp switches back to the mains automatically & simultaneously starts recharging the battery to the required level.

Dimensions (in mm)



| TECHNICAL SPECIFICATIONS | | MONOGRAM OF PROLITE |
|---|--|----------------------------|
| Confirms | IS : 9583 – 1981. | |
| Ingress Protection | IP – 20. | |
| Housing | Made up of C. R. C. A. Sheet steel – 22 S. W. G. | |
| Paint & Colour | Epoxy polyester powder coating, White in colour. | |
| Message Panel | V shaped, 2 M. M. milky acrylic with CAD Designed vinyl pasted on it. | |
| Reflector | White powder coated M. S., C. A. C. A – 22 S. W. G. | |
| Lamp Holder | CF – L, 4 pins, straight – Base : 2G7 White Polycarbonate/ABS with electrical grade brass contacts. | |
| Input (V) | ~ 230 Volts, 50 Hz. | |
| Lamp | 1 x CF – L 11 Watts. | |
| Lamp make | Osram, Philips, Surya | |
| Mains Connector | 5 A, 250 Volts, Milky white Polycarbonate with electrical grade brass contacts. | |
| Battery type | Ni-Mh/Ni-Cd, rechargeable. | |
| Duration | 120 Minutes back up; \pm 10%. | |
| Charging Type | Constant current charger. | |
| Recharging Cycle | 16 to 24 hours recharging period. | |
| Mounting | Recessed mounting type. | |
| Weight (Kg) | 1 Kg. Approx | |
| Application | Domestic & commercial purpose, corridors of hotels, Battery rooms, staircases, underground parking. | |
| Tolerance on overall dimensions is \pm 5 m. m. unless otherwise specified. | | |
| Please Note: Other Input Voltage Is Also Available – Price On Request (POR). | | |
| Due to continuous development, specifications may change without prior notice. | | |

FOR

PROLITE AUTOGLO LIMITED

DATE :