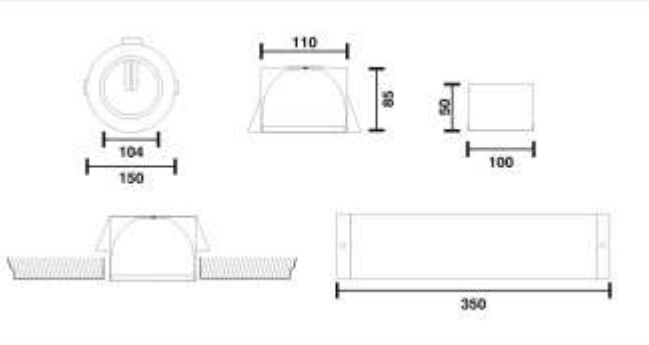


Emergency Lighting Fixture : Item Code - PEL 110 NM/RSL (C)**Mounting : Recess, (Type – Non Maintained)**

Recessed

A recessed mounting, decorative & attractive range CF - L down lighter, Automatically switches – **ON**, on mains power failure & provides illumination on battery source for specified duration, after which the battery gets automatically cut-off, to facilitate quick recharge on the resumption of mains supply. Once the battery is fully charged, it automatically slides into trickle charge to constantly retain the charge and be ready for immediate use.

Dimensions (in mm)**TECHNICAL SPECIFICATIONS**

Confirms	IS : 9583 – 1981.
Lamp Housing	Lamp housing made up of spun aluminum.
Control Gear Housing	Made up of C. R. C. A. Sheet steel – 22 S. W. G., painted Epoxy polyester powder coating, White in colour.
Mounting	Recessed mounting type.
Paint & Colour	Epoxy polyester powder coating, White in colour.
Reflector	Electrochemically brightened aluminum reflector.
Lamp Holder	Base GX24q, White Polycarbonate/ABS with electrical grade brass contact.
Input (V)	~ 230 Volts, 50 Hz.
Lamp	1 x CF - L, 4 Pins Cross (PL - C) 10 Watts.
Lamp make	Osram, Philips, Surya
Mains Connector	5 A, 250 Volts, Milky white Polycarbonate with electrical grade brass contacts.
Battery type	Ni-Mh/Ni-Cd; rechargeable.
Duration	2 Hours back up; $\pm 10\%$.
Charging Type	Constant current charger.
Recharging Cycle	16 to 24 hours recharging period.
Weight (Kg)	2 Kg. Approx
Application	Domestic & commercial purpose, corridors of hotels, Battery rooms, staircases, underground parking.

Tolerance on overall dimensions is ± 5 m. m. unless otherwise specified.

Please Note: Other Input Voltage Is Also Available – Price On Request (**POR**).

Due to continuous development, specifications may change without prior notice.

FOR

PROLITE AUTOGLO LIMITED

DATE :