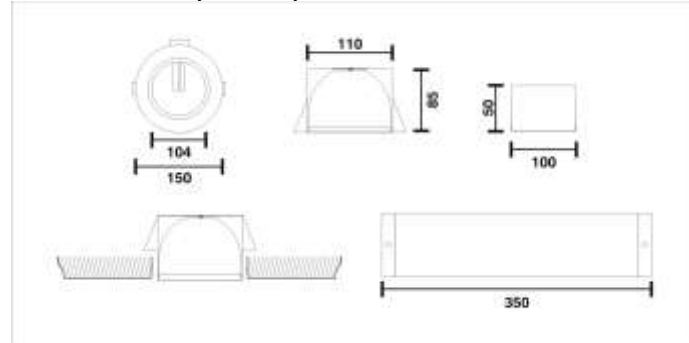


**Emergency Lighting Fixture : Item Code - PEL 110 M/RSL (C)
Mounting : Recess type, (Type - Maintained)**



Recessed decorative CF - L down lighter, maintained recessed spot light. Consist of single or more CF - Ls which provides illumination on normal mains power supply and the same lamp/s continues to provide illumination during mains failure on self contained battery source. **ON** resumption of mains supply, the lamp/s switches back to the mains automatically & simultaneously starts recharging the battery to the required level. **Maintained model provide uninterrupted illumination.**

Dimensions (in mm)



TECHNICAL SPECIFICATIONS

Confirms	IS : 9583 - 1981.
Lamp Housing	Lamp housing made up of spun aluminum.
Control Gear Housing	Made up of C. R. C. A. Sheet steel - 22 S. W. G., painted Epoxy polyester powder coating, White in colour.
Mounting	Recessed mounting type.
Paint & Colour	Epoxy polyester powder coating, White in colour.
Reflector	Electrochemically brightened aluminum reflector.
Lamp Holder	4 pins, cross, Base : GX24q White polycarbonate/ABS with electrical grade brass contacts.
Input (V)	~ 230 Volts, 50 Hz.
Lamp	1 x CF - L, 4 Pins Cross (PL - C) 10 Watts.
Lamp make	Osram, Philips, Surya
Mains Connector	5 A, 250 Volts, Milky white Polycarbonate with electrical grade brass contacts.
Battery type	Ni-Mh/Ni-Cd; rechargeable.
Duration	2 Hours back up; \pm 10%.
Charging Type	Constant current charger.
Weight	2Kg. Approx
Recharging Cycle	16 to 24 hours recharging period.
Application	Domestic & commercial purpose, corridors of hotels, Battery rooms, staircases, underground parking.
Tolerance on overall dimensions is \pm 5 m. m. unless otherwise specified.	
Please Note: Other Input Voltage Is Also Available - Price On Request (POR).	
Due to continuous development, specifications may change without prior notice.	

FOR

PROLITE AUTOGLO LIMITED

DATE: