

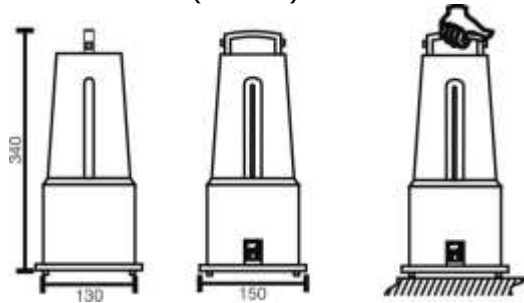
**PORTABLE Emergency Lighting Fixture : Item Code - PEL 109 PNM L
Mounting : ON Table Top, (Type – Non Maintained)**

Portable



Automatically switches – **ON**, on mains power failure & provides illumination on battery source for specified duration, after which the battery gets automatically cut-off, to facilitate quick recharge on the resumption of mains supply. Once the battery is fully charged, it automatically slides into trickle charge to constantly retain the charge and be ready for immediate use.

Dimensions (in mm)



TECHNICAL SPECIFICATIONS

Confirms	IS : 9583 – 1981.
Ingress Protection	IP – 20.
Housing	Made up of white ABS molded plastic, with inbuilt handle for ease to carry with.
Diffuser	Clear molded polycarbonate diffuser.
Lamp Holder	4 pins, straight, Base : 2G7 White polycarbonate/ABS with electrical grade brass contacts.
Input (V)	~ 230 Volts, 50 Hz.
Lamp	1 x CF – L (PL – S) 9 Watts : 4 Pin Straight, high lumens out put.
Lamp make	Osram, Philips
Battery type	S L A; rechargeable.
Duration	6 Hours back up, \pm 10%.
Charging Type	Constant voltage charger.
Recharging Cycle	10 to 12 hours recharging period.
Mounting	Table top type.
Weight (Kg)	2 Kg. Approx
Indications	(1) Red LED "ON" indicates charging.
	(2) Green LED "ON" indicates stand by mode.
Application	Domestic & commercial purpose.
Tolerance on overall dimensions is \pm 5 m. m. unless otherwise specified.	
Please Note: Other Input Voltage Is Also Available – Price On Request (POR).	
Due to continuous development, specifications may change without prior notice.	

FOR

PROLITE AUTOGLO LIMITED

DATE :