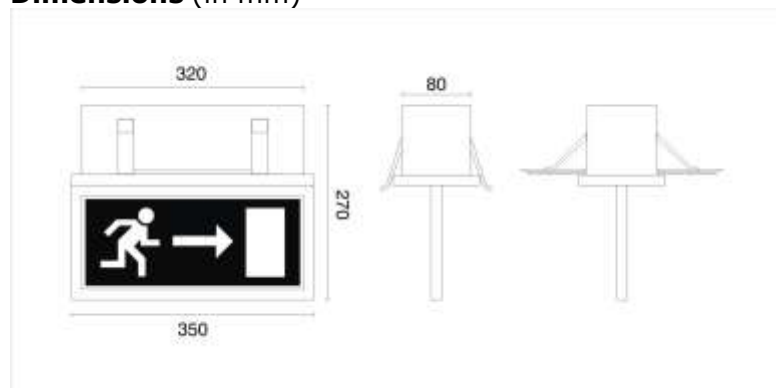


**Emergency Lighting Fixture : Item Code - PEL 108 E/M (RM)  
Mounting : Recess, (Type - Maintained)**



Recessed Mounting Type, single FT - L/CF - L which provides illumination on normal mains power supply and the same lamp continues to provide illumination during mains failure on self contained battery source. **ON** resumption of mains supply, the lamp switches back to the mains automatically & simultaneously starts recharging the battery to the required level. **Maintained models provide uninterrupted illumination.**

**Dimensions** (in mm)



**TECHNICAL SPECIFICATIONS**

**MONOGRAM OF PROLITE**

Confirms	IS : 9583 - 1981.
Ingress Protection	IP - 20.
Housing	Made up of C. R. C. A. Sheet steel - 22 S. W. G.
Paint & Colour	Epoxy polyester powder coating, White in colour.
Message Panel	8 M. M. Clear acrylic with CAD Designed message.
Reflector	White powder coated M. S., C. A. C. A - 22 S. W. G.
Lamp Holder	CF - L, 4 pins, straight - Base : 2G7 White Polycarbonate/ABS with electrical grade brass contacts.
Input (V)	~ 230 Volts, 50 Hz.
Lamp	1 x 8 W T5 / 1 x 11 W CF - L.
Lamp make	Osram, Philips, Surya
Mains Connector	5 A, 250 Volts, Milky white Polycarbonate with electrical grade brass contacts.
Battery type	Ni-Mh/Ni-Cd, rechargeable.
Duration	2 Hours back up; $\pm$ 10%.
Charging Type	Constant current charger.
Recharging Cycle	16 to 24 hours recharging period.
Mounting	Recessed mounting type.
<b>Weight (Kg)</b>	2 Kg. Approx
Indications	Red LED "ON" indicates charging.
Application	Domestic & commercial purpose, corridors of hotels, Battery rooms, staircases, underground parking.
Tolerance on overall dimensions is $\pm$ 5 m. m. unless otherwise specified.	
Please Note: Other Input Voltage Is Also Available - Price On Request ( <b>POR</b> ).	
Due to continuous development, specifications may change without prior notice.	

**FOR**

**PROLITE AUTOGLO LIMITED**

**DATE :**