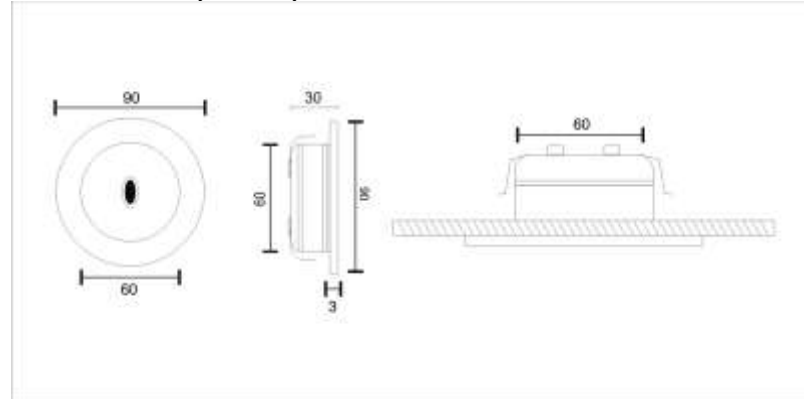


**Emergency Lighting Fixture: Item Code - PEL 1 watt LED NM/ RDL (CR) PA**



Automatically switches – **ON**, on mains power failure & provides illumination on battery source for specified duration, after which the battery gets automatically cut-off, to facilitate quick recharge on the resumption of mains supply. Once the battery is fully charged, it automatically slides into trickle charge to constantly retain the charge and be ready for immediate use.

**Dimensions** (in mm)



**TECHNICAL SPECIFICATIONS**

Confirms	IS : 9583 – 1981.
Ingress Protection	IP – 20.
Housing	Aluminum anodized body.
Diffuser	Polycarbonate Lens.
Input (V)	~ 230 Volts, 50 Hz.
LED	1 x 1 Watt LED.
LED Make	Edison, Philips, Osram
Battery type	Ni-CD/Ni-Mh rechargeable.
Duration	180 minutes back up; $\pm$ 10%.
Charging Type	Constant current charger.
Recharging Cycle	16 to 24 hours recharging period.
Mounting	Recess Type.
Weight (Kg)	1Kg.
Indications	Red LED "ON" indicates charging.
Application	For use in domestic & <b>Passage Area</b> , commercial premises, corridors of hotels, staircases, underground parking.

Tolerance on overall dimensions is  $\pm$  5 m. m. unless otherwise specified.

Please Note: Other Input Voltage Is Also Available – Price On Request (**POR**).

Due to continuous development, specifications may change without prior notice.

**FOR**

**PROLITE AUTOGLO LIMITED**

**DATE :**